

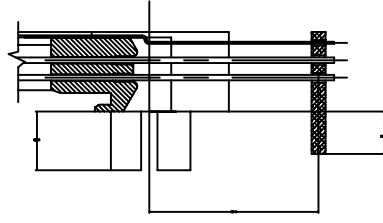
FCI CONFIDENTIAL

FCI

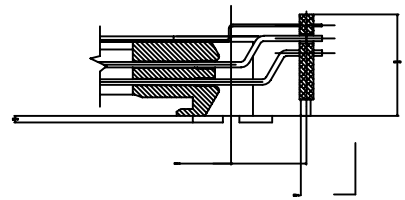
This document is the property of and embodies CONFIDENTIAL and PROPRIETARY information of FCI. No part of the information shown on this document may be used in any way or disclosed to others without the written consent of FCI. Copyright FCI.

FCIconnect.com

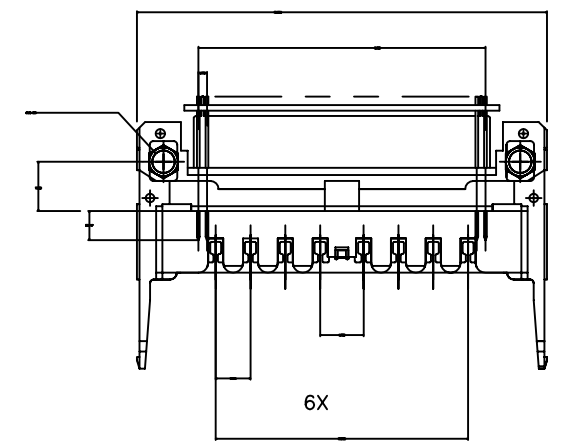
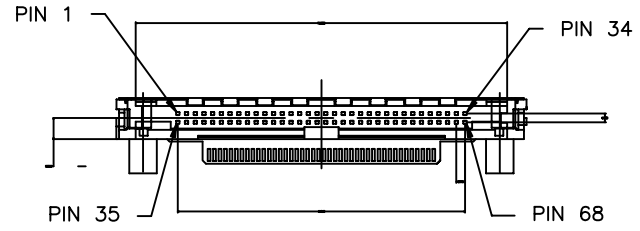
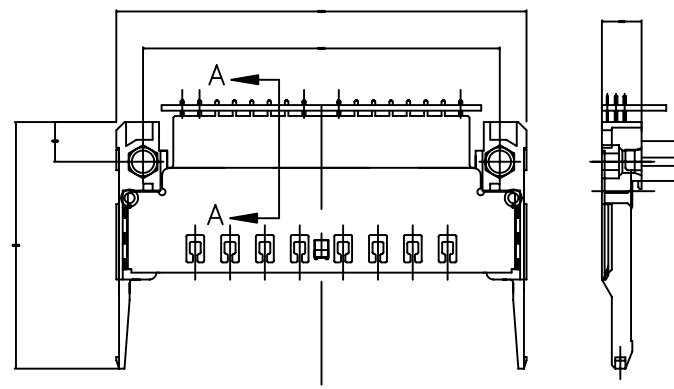
PRODUCT NO.	DIM "X"		
71249-XXXX/XXXXLF	4.25±0.1	3.5±0.1	5±0.1
	OTHERS	36,67	1,17,34, 35,51,68



SECTION A-A
FOR ALL OTHER VERSIONS
SCALE 2/1



SECTION A-A
71249-0000/0000LF/0006/0006LF ONLY!
SCALE 2/1



- 71249-X X XX XX
- LEAD FREE OPTION : LF
 - STAND-OFF 00: 0.0mm
 - 06: 0.6mm
 - 22: 2.2mm
 - 43: 4.3mm
 - 50: 5.0mm
 - DECK POSITION: 0 CLOSEST TO PCB
 - 5 FARTHEST FROM PCB
 - TOP MOUNT: 0
 - BOTTOM MOUNT: 5

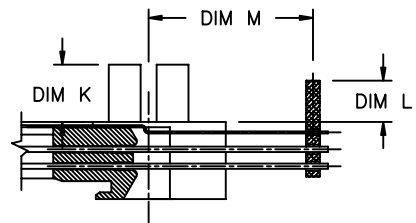
NOTES:

- 1 MATERIAL
HOUSING: LIQUID CRYSTAL POLYMER (LCP) UL94V-0 BLACK
PIN: PHOSPHOR BRONZE
- 2 FINISH
UNDER PLATING : 0.5µm MIN. Ni
CONTACT AREA : 0.1µm MIN. GOLD OVER 0.5µm MIN. Pd-Ni
SOLDER TAIL(TIN LEAD OPTION) : 2.5µm MIN. Sn-Pb
SOLDER TAIL(LEAD FREE OPTION) : 2.5µm MIN. PURE TIN
- 3 MATING RECEPTACLE: 73277-101000/101000LF
- 4 SEE TA-1050 FOR P.C.B. LAYOUT.
- 5 RECOMMENDED HOLD DOWN: 2mm SCREWS (95121) AND HEX NUTS (92869).
RECOMMENDED SCREW TORQUE: 1.0 TO 1.5 MAX in-lbs (1.2-1.7 cm-kgs).
- 6 IF LEAD FREE P/N.THE HOUSING WILL WITHSTAND EXPOSURE TO 260°C PEAK TEMPERATURE FOR 10 SECONDS IN A WAVE SOLDER APPLICATION WITH A 1.00MM MINIMUM THICK CIRCUIT BOARD.
- 7 IF LEAD FREE P/N.THE PRODUCT MEETS EUROPEAN UNION DIRECTIVES AND OTHER COUNTRY REGULATIONS AS DESCRIBED IN GS-22-008
- 6 LEAD FREE P/N PACKAGING MEETS GS-14-920 SPECIFICATION

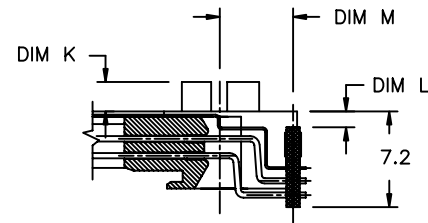
71249-0640/0640LF	0	8.6	6.7
71249-0140/0140LF	0	2.8	-0.3
71249-0550/0550LF	0	9.6	6.55
71249-0050/0050LF	5.0	3.8	-0.3
71249-0543/0543LF	0	8.9	6.55
71249-0043/0043LF	4.3	3.1	-0.3
71249-0540/0540LF	0	8.6	6.55
71249-0040/0040LF	4.0	2.8	-0.3
71249-0522/0522LF	0	6.8	7.85
71249-0520/0520LF	0	6.6	7.85
71249-0200/0200LF	0	-1.4	2.8
71249-0028/0028LF	2.8	1.8	1.0
71249-0022/0022LF	2.2	1.0	1.0
71249-0022A/0022ALF	2.2	1.0	1.0
71249-0020/0020LF	2.0	0.8	1.0
71249-0506/0506LF	0	5.2	12.35
71249-0006/0006LF	0.6	-0.6	5.5
71249-0500S/0500SLF	0	4.6	12.35
71249-0000S/0000SLF	0	-1.2	5.5
71249-0500/0500LF	0	4.6	12.35
71249-0000/0000LF	0	-1.2	5.5
PRODUCT NO.	DIM K	DIM L	DIM M
		±0.10	±0.10

mat'l. code	surface	tolerance	projection	product family
	ISO 1302	ISO 406 ISO 1101		PCMCIA
ltr	ecn no	dr	date	tolerances unless otherwise specified
L	N05-0116	WB	04/26/05	angles
M	N06-0220	MZ	11/07/06	linear
				±2'
				.XX±.3
				.XX±.13
				.XXX±.051
				scale
G	T10180	WL	07/02/01	dr S.DUESTERHOEFT 8/3/95
H	T04-0273	WL	06/28/04	enrg J.SPICKLER 8/3/95
J	T04-0316	WL	07/12/04	chr J.SPICKLER 8/3/95
K	N05-0034	WB	02/16/05	appd J.SPICKLER 8/3/95
sheet	revision	M	M	
index	sheet	1	2	
				title
				CARDBUS HEADER ASS'Y W/ VERTICAL BOARD
				dwg no
				71249
				sheet 1 of 2 size
				A4
				type
				CUSTOMER Drawing

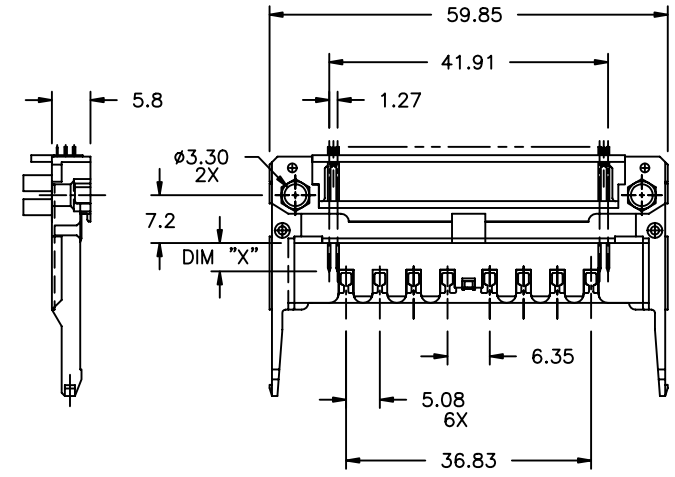
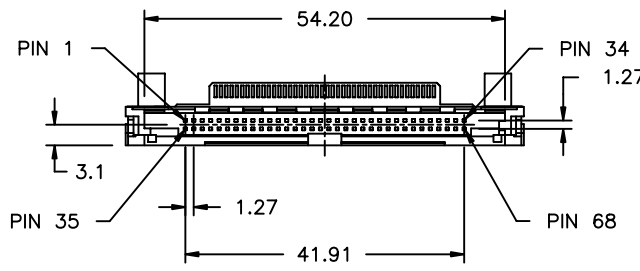
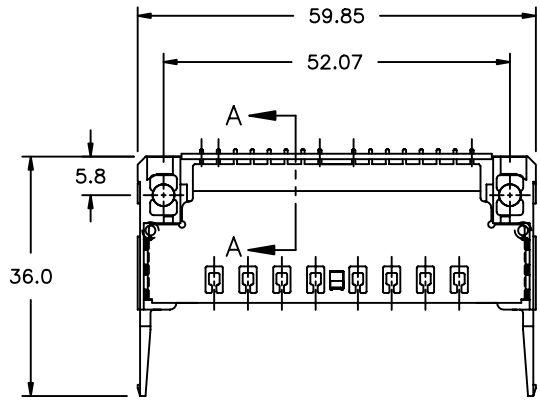
PRODUCT NO.	DIM "X"		
71249-XXXX/XXXXLF	4.25±0.1	3.5±0.1	5±0.1
	OTHERS	36,67	1,17,34, 35,51,68



SECTION A-A
FOR ALL OTHER VERSIONS
SCALE 2/1



SECTION A-A
71249-5022/5022LF ONLY!
SCALE 2/1



- 71249-X XX LF
- LEAD-FREE :LF
 - STAND-OFF 00: 0.0mm
22: 2.2mm
43: 4.3mm
50: 5.0mm
 - DECK POSITION: 0 CLOSEST TO PCB
5 FARTHEST FROM PCB
 - TOP MOUNT: 0
BOTTOM MOUNT: 5

NOTES:

- MATERIAL
HOUSING: LIQUID CRYSTAL POLYMER (LCP) UL94V-0 BLACK
PIN: COPPER ALLOY
- FINISH
UNDER PLATING : 0.5µm MIN. Ni
CONTACT AREA : 0.1µm MIN. GOLD OVER 0.5µm MIN. Pd-Ni
CONTACT AREA : 0.25µm GOLD (FOR***-MLF)
SOLDER TAIL(TIN LEAD OPTION) : 2.5µm MIN. Sn-Pb
SOLDER TAIL(LEAD FREE OPTION) : 2.5µm MIN. PURE TIN
- MATING RECEPTACLE: 73277-101000/101000LF
- SEE TA-1050 FOR P.C.B. LAYOUT.
- RECOMMENDED HOLD DOWN: 2mm SCREWS (95121) AND HEX NUTS (92869).
- RECOMMENDED SCREW TORQUE: 1.0 TO 1.5 MAX in-lbs (1.2-1.7 cm-kgs).
- IF LEAD FREE P/N.THE HOUSING WILL WITHSTAND EXPOSURE TO 260°C PEAK TEMPERATURE FOR 10 SECONDS IN A WAVE SOLDER APPLICATION WITH A 1.00MM MINIMUM THICK CIRCUIT BOARD.
- IF LEAD FREE P/N.THE PRODUCT MEETS EUROPEAN UNION DIRECTIVES AND OTHER COUNTRY REGULATIONS AS DESCRIBED IN GS-22-008
- LEAD FREE P/N PACKAGING MEETS GS-14-920 SPECIFICATION

71249-5050MLF	5.0	3.8	-0.3
71249-5622/5622LF	0	6.6	12.35
71249-5122/5122LF	2.2	0.81	5.5
71249-5550/5550LF	0	9.6	6.55
71249-5050/5050LF	5.0	3.8	-0.3
71249-5543/5543LF	0	8.9	6.55
71249-5043/5043LF	4.3	3.1	-0.3
71249-5040/5040LF	4.0	2.6	-0.3
71249-5522/5522LF	0	6.8	12.35
71249-5022/5022LF	2.2	1.0	5.5

0.0mm STAND-OFF IS NOT AVAILABLE

PRODUCT NO.	DIM K	DIM L ±0.10	DIM M ±0.10
-------------	-------	----------------	----------------

mat'l. code		surface	tolerance	projection	product family	
		ISO 1302	ISO 406 ISO 1101		PCMCIA	
ltr	ecn no	dr	date	tolerances unless otherwise specified		
M				angles	title	
				linear	CARDBUS HEADER ASS'Y W/ VERTICAL BOARD	
				±2'	scale	
		dr	S.DUESTERHOEFT	8/3/95	dwg no	
		enr	J.SPICKLER	8/3/95	sheet 2of	
		chr	J.SPICKLER	8/3/95	71249	
		appd	J.SPICKLER	8/3/95	size	
					A4	
sheet	revision				type CUSTOMER	
index	sheet				Drawing	